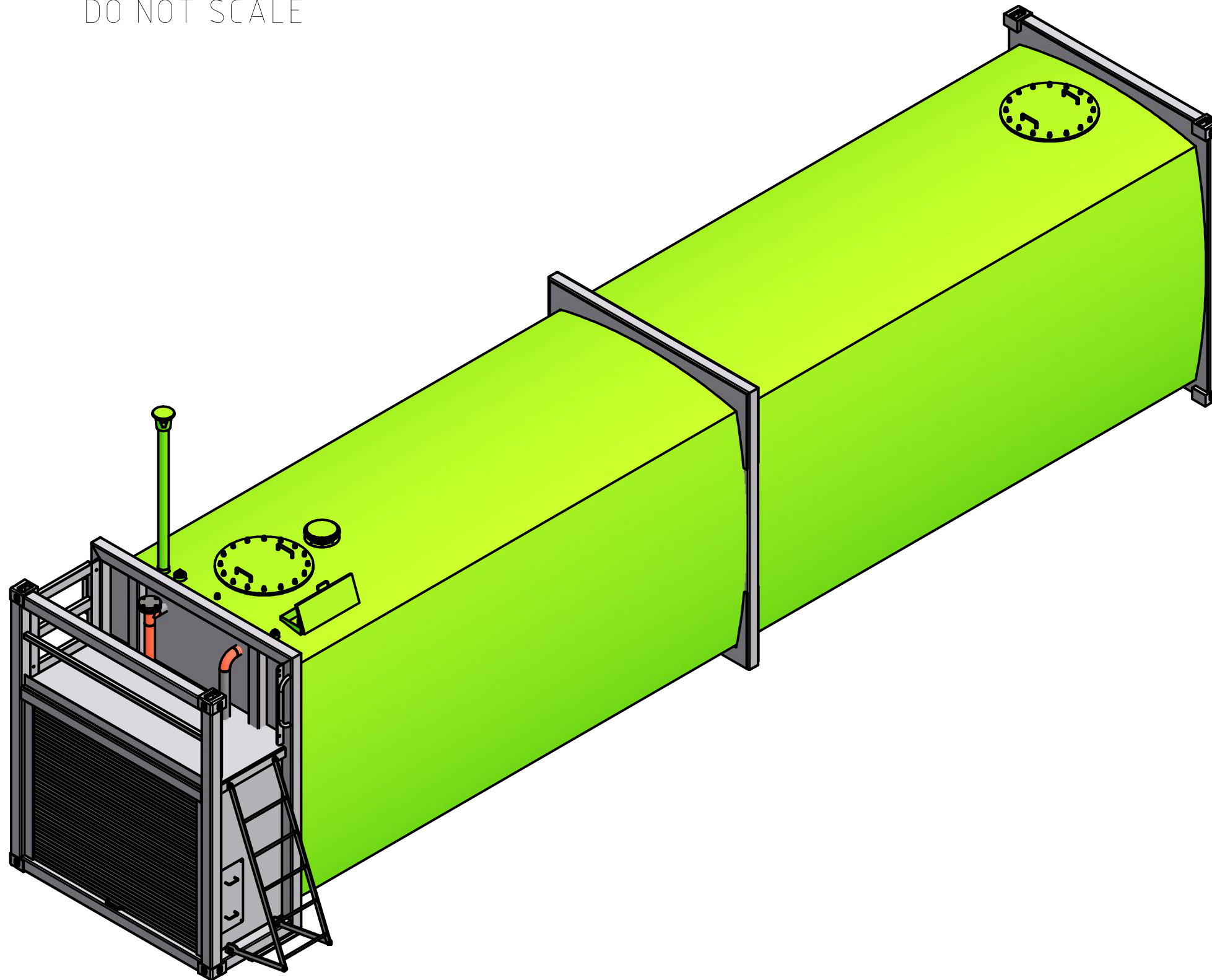


DRAWING NO

DO NOT SCALE



PART

MATERIAL

FINISH

CONFIDENTIAL
 This document and all information contained within it remains the property of LIQUITAINER CO.,LTD. and specified parties deemed by LIQUITAINER CO.,LTD. No part of this document may be copied without explicit consent of LIQUITAINER CO.,LTD.

© LIQUITAINER CO.,LTD 2010

TOLERANCES:
 ALL DIMENSIONS IN MM

DRAWN TO AS1100

DRAWN	DATE
YP	31- 08- 10
DESIGN/CHECKED	DATE
APPROVED	DATE
CONFIGURED	DATE

DATE
DATE
DATE
DATE

LIQUITAINER CO.,LTD

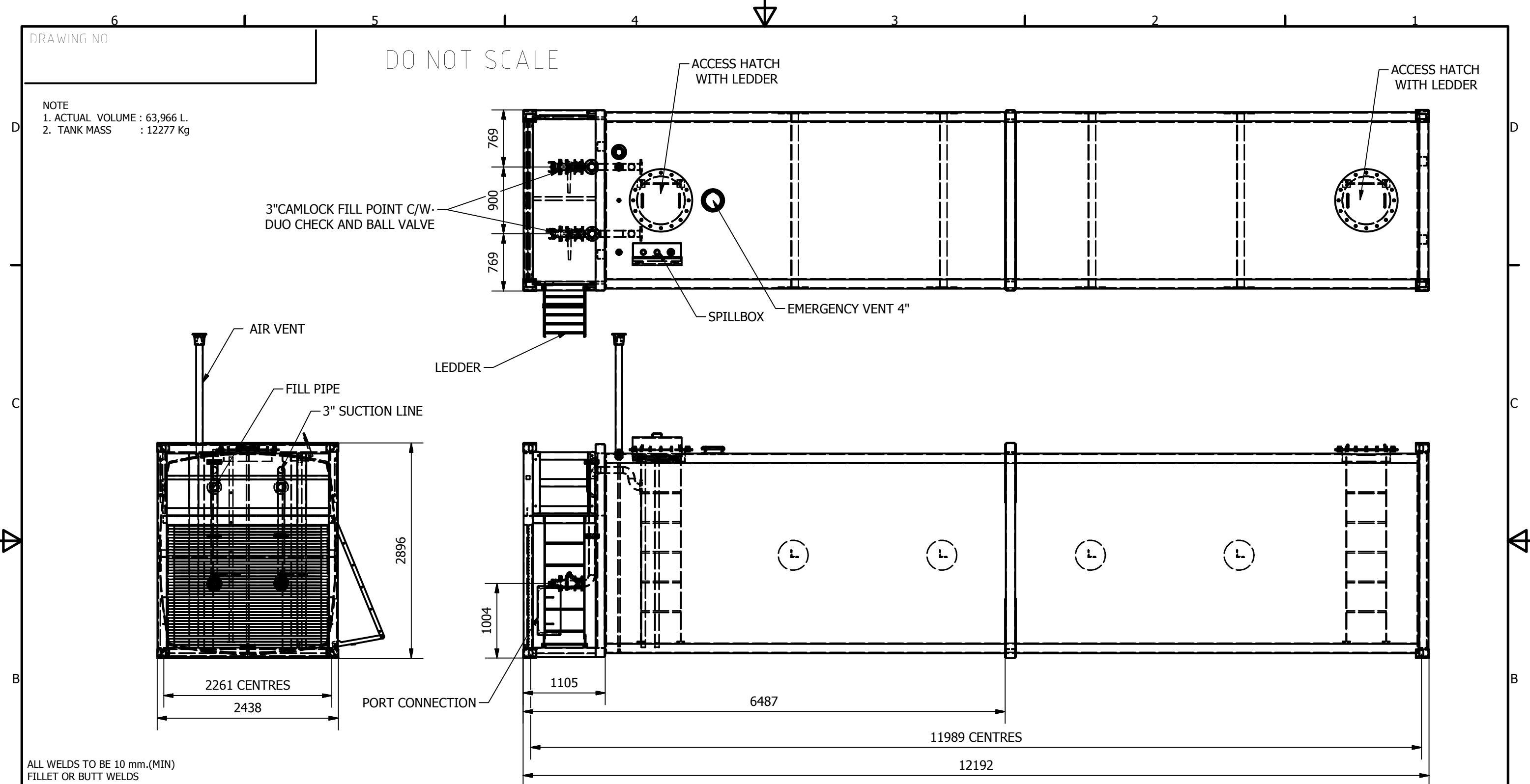
TITLE
LTT62DB STORAGE TANK

DRAWING NO LTT62DB-GA-001	A3
SCALE: APPR MASS: SHEET OF 01 REV 01	

DRAWING NO

DO NOT SCALE

- NOTE
 1. ACTUAL VOLUME : 63,966 L.
 2. TANK MASS : 12277 Kg



ALL WELDS TO BE 10 mm.(MIN)
 FILLET OR BUTT WELDS
 UNLESS STATED
 OTHERWISE
 ALL WELDS TO BE : AS1554
 INTERSTITIAL LEAKAGE TEST AT 35 KPA

PART	FINISH	TOLERANCES: ALL DIMENSIONS IN MM	DRAWN	DATE	LIQUITAINER CO.,LTD		
			YP	31- 08- 10			
			DESIGN/CHECKED	DATE			
			APPROVED	DATE			
MATERIAL	<p>CONFIDENTIAL</p> <p>This document and all information contained within it remains the property of LIQUITAINER CO.,LTD. and specified parties deemed by LIQUITAINER CO.,LTD. No part of this document may be copied without explicit consent of LIQUITAINER CO.,LTD.</p> <p>© LIQUITAINER CO.,LTD 2010</p>	DRAWN TO AS1100	CONFIGURED	DATE	TITLE		
					LTT62DB STORAGE TANK		
					DRAWING NO		
					LTT62DB-GA-001		
			SCALE:	APPR MASS:	SHEET OF 02	REV 01	A3